



# KODAK RELIABLE IMAGE TIP # 71



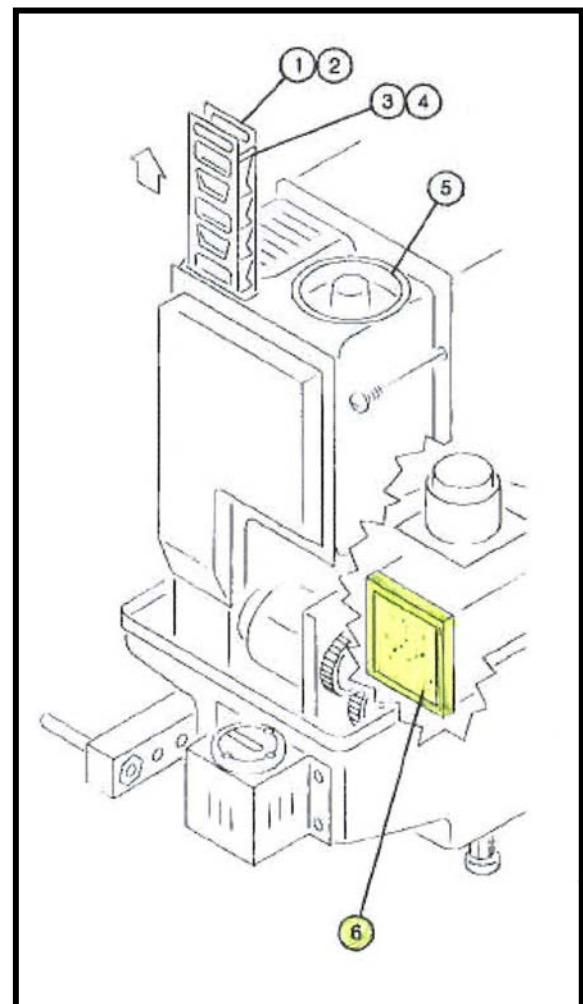
## Prostar Processor Filters

You may not be aware of some filters in your Kodak Prostar Processor that if not routinely replaced can degrade your film quality over time and leave you scratching your head for a reason.

Below are three different filters that are used in the Kodak Prostar processor Models I, II and Archive Prostar. As with any parts for your Prostar, please contact your Kodak Service Field Engineer.

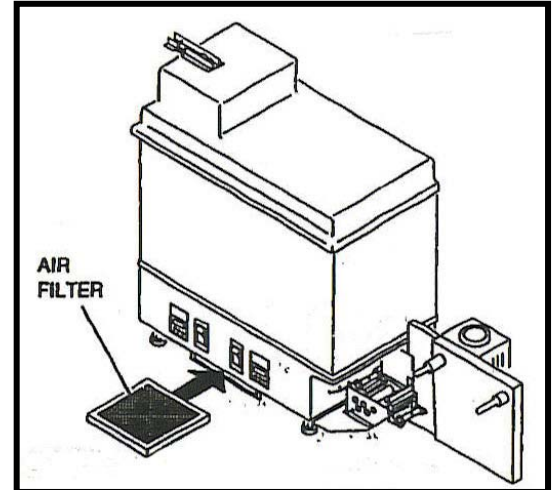
### Air Filter for Prostar I & Prostar II

Filter is located in the dryer assembly area, Kodak Part # 501979. Clogged air filter = improper drying, dirty film and possible scratches.



## Air Filter for Prostar Archive Processor

Filter is located underneath the unit in front, Kodak Part # 321984.  
Clogged air filter = dirty film and possible scratches.



## Kodak Prostar Auto Replenishment Unit (Old Style Only)

Chemical Solution Filter (2) located inside unit, Kodak Part # 892846.  
Clogged chemical filters = improper replenishment and density variations.

